

## WOOD VS METAL CHAIRS

When choosing seating for your restaurant, you typically have the option of having a wood or metal frame chair. Wood frame chairs offer a distinct style and bring out a sense of tradition and class to your establishment. Certain styles can also be stained and finished to fit seamlessly into your decor. Wooden restaurant chairs are also available in a wide variety of back rest styles, patterns and shapes. The earth tone colors and grains that are naturally apparent in the wood can add a classy and elegant accent to your theme.

Metal chairs will typically bring out a more modern and sleek look than that of wooden chairs. Metal restaurant chairs can be painted and come with a wide variety of seat and back rest cover options. Unlike wooden chairs, most of which generally come finished in one solid color, the seat and frame color for metal chairs can be entirely different from each other. There is also a variety of upholstery options like leather and vinyl to really bring out the definition of the chair. These types of chairs will be the ideal choice for restaurant owners who desire a contemporary look or want to put emphasis on the color base of their dining decor.



The small diameter tubing of this chair, combined with the whimsical fan pattern of the seatback, and the bold uniform color scheme of the upholstery would make this chair a perfect addition to an ice cream parlor.



The plain gentle-curved back of this chair, along with its solid wood construction, brings to mind nostalgic images of being in a classic family diner.



The intricate upholstery and deep glossy trim that this chair features make it a good candidate to complement a fine dining atmosphere.

## HIGH CHAIRS AND BOOSTER SEATS



Restaurant owners should never overlook the need for additional high chairs in their establishment. High chairs and booster seats are a necessity in most food service establishments and restaurants accessible to minors. Typically constructed of wood or plastic, high chairs come in an assortment of finishes and colors to match the rest of your restaurant furniture. Having high chairs available to accommodate small children will help to influence the “family friendliness” of your establishment and will encourage future business from satisfied parents. Note the descriptions when browsing our high chairs to find out if they are shipped assembled or knocked down.



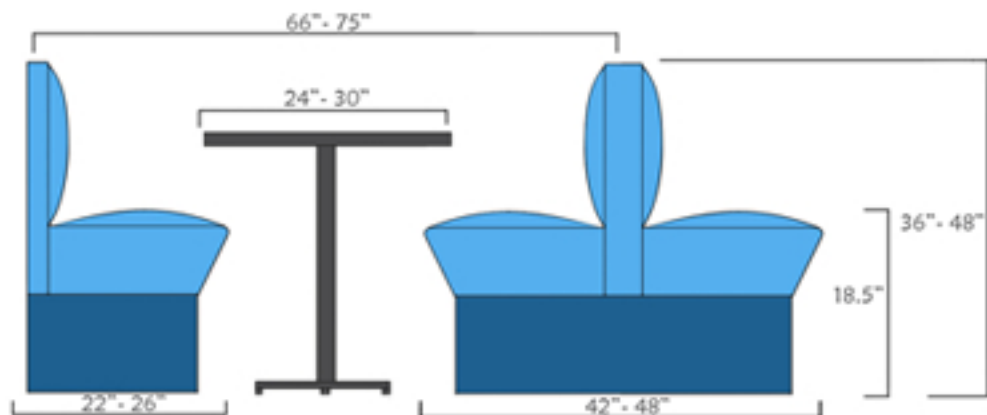
Booster seats can also be a valuable alternative to high chair seating. Because they are made of sturdy polyethylene, booster seats can be manufactured in a wide variety of colors. Most booster seats are universal in size, but certain manufacturers feature raised sides to their seats to make for a more secure fit and added safety. Some seats also feature a strap to help stabilize the seat to the chair.

\* If you have any special needs or cannot find the type of high chair or booster seat you are looking for, contact us and we will be happy to assist you in finding the right product.

## BOOTHS



Booths are a welcome addition to any restaurant that seeks to offer a variety of seating options. Because they can be configured with a variety of upholstery and trimming options, booths are versatile pieces of furniture that can match whatever theme your establishment may have. Having booth seating also offers you an easy way to zone your restaurant for easy walking paths, along with offering diners with a sense of privacy within their table space. Standard booth dimensions are shown below.



## TABLES

Indoor restaurant tables are a combination of one tabletop and one or more table bases. (ordered seperately)



Table bases are used to provide support for tabletops and are primarily sold in two different spread options: a two "feet" variation or a four "feet" variation. While standard dining height is 28 to 30 inches tall, we also have 40 inch options if you require taller tables for your establishment. When planning your tabling layout, be sure to provide about two feet of leg room under the table top and at least a foot projected from the edge of the table top for knee clearance. ADA accessibility guidelines also require a minimum 3 feet of clearance in areas that serve as emergency routes. Table bases will generally still be compatible with table tops made from a different manufacturer, so long as the base spread is wide enough to support the weight of the tabletop.



Tabletops come in circular, square, and rectangular shapes and a variety of laminate options to help suit your needs. The laminate featured on all of our brands is scratch resistant and will survive the wear and tear that dining tables go through on a daily basis. We also offer granite tabletop options if you need to add an extra brand of elegance to your tabling setup.

## OUTDOOR FURNITURE



Aluminum furniture is ideal for outdoor and patio use due to its durable properties. The outdoor furniture we sell is rust resistant, low maintenance, and will not fade with time. You might also want to consider umbrellas and seating cushions for added comfort outdoors, especially if your restaurant's patio is in a high traffic area. Aluminum surfaces can be easily cleaned with soapy water and then rinsed. Wax or polish can also be used for further protection on aluminum surfaces